

YS-7725

GPS Vehicle Camera

- A comprehensive design for the automotive environment
- Operating voltage of a wide range of optional DC 5V, 12V, 9-36V
- Support for RS232, RS485, TTL
level three kinds of way
communication
- UART: 1, 200-115, 200bps
transferring JPEG still pictures
- Built-in down sampling, clamping
and windowing circuits for
640*480, 320*240, 160*120 image
resolutions
- Compression ratio can be changed
flexibly by user
- Can be customized protocols and
functions according to the
specific requirements of the user
- Auto-Infrared, Auto-White Balance, Auto-Gain Control



Overview

YS-7725 GPS vehicle camera suitable for a wide variety of embedded image acquisition system, such as remote monitoring, and stay like a doorbell, video telephony, digital image recording, industrial control, security and other areas. Especially suitable for image transmission, such as the phone line, GPRS / CDMA / data transmission such as radio-based low-speed channel remote image monitoring system. The product image quality, excellent night vision. YS-7725 GPS vehicle camera using the Omni Vision CMOS OV7725 sensor and JPEG compression chip, high-quality brands of infrared light, to make up for the defects is not clear in the early product quality.

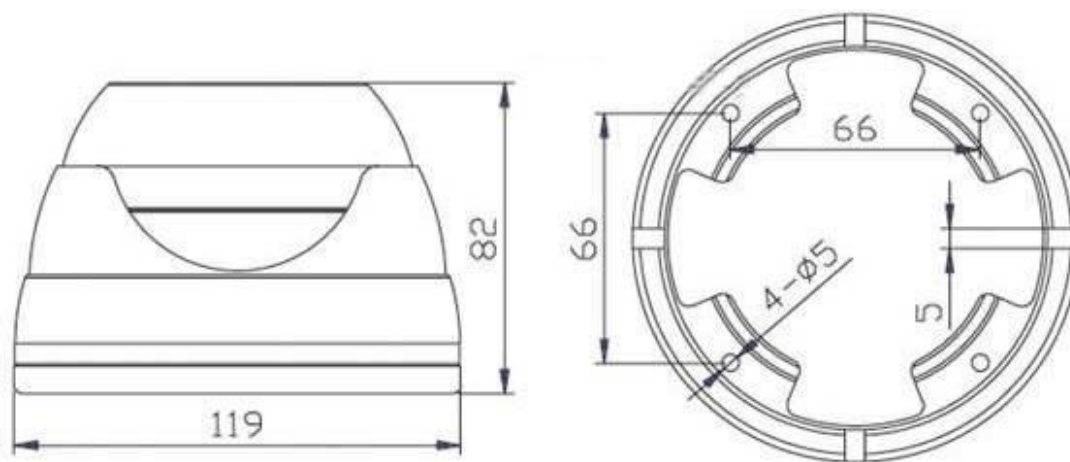
Lens Description

2.5mm, 2.8mm, 3.6mm, 6mm, 12mm IR lens or color lens are selectable for customers

Application

- General purpose embedded imaging and control
- Security system
- Access Control system
- Robot vision, object detection and recognition
- Industrial control system
- Automotive system
- Medical systems ect.

Dimensions



Form Factor

Type: Conch Type

Dimensions: 120 x120 x 82 mm

Weight: 200 g

Resolution

Compression Algorithms: JPEG

Resolution: 640x480, 320x240, 160x120

Serial Interface

RS232,RS485,TTL

Serial Communication Parameters

Parity: None, Even, Odd, Space, Mark

Data bits: 7, 8

Stop bits: 1, 2

Flow Control: RTS / CTS

Baud rate: 1,200 bps ~ 115,200 Kbps (supports non-standard baud rate)

Environmental Limits

Operating temperature: -40 ~ 85 °C

Storage Temperature: -65 ~ 150 °C

Ambient Relative Humidity: 5 to 95% (non-condensing)

Power Requirements

Power Input: 5 VDC, $\pm 5\%$

Power Consumption: 70 mA@5 VDC max.

Reliability

Automatic Reboot Trigger: Built-in WDT (watchdog timer)

Warranty

Warranty Period: 1 years