

LC-512G

Wireless DMX512 Transceiver

- FHSS with 79 Channels, interference-free operation.
- 32-bit ARM Processor, DMA transfer without delay
- Standard DMX512 3-pin XLR, 5-pin XLR, Transceiver
- One-touch operation with a Tri-color status indicator
- Built-in Wireless Solution Compatibility Mode
- Automatically learning of various parameters of controller, just like DMX transfer via cable
- Group Mode, easy plug-and-play operation; Pairing Mode, supports more transmitter universes



Overview

WIDMX LC-512G is unique in its use of advance radio technologies that are also used in military communication and mobile phones. That is 2.4GHz ISM Band (license-free worldwide) and GFSK Modulation (more efficient transitions). Its user-friendly operation that simplifies all the complex communication protocols makes it possible for the users to just plug and play.

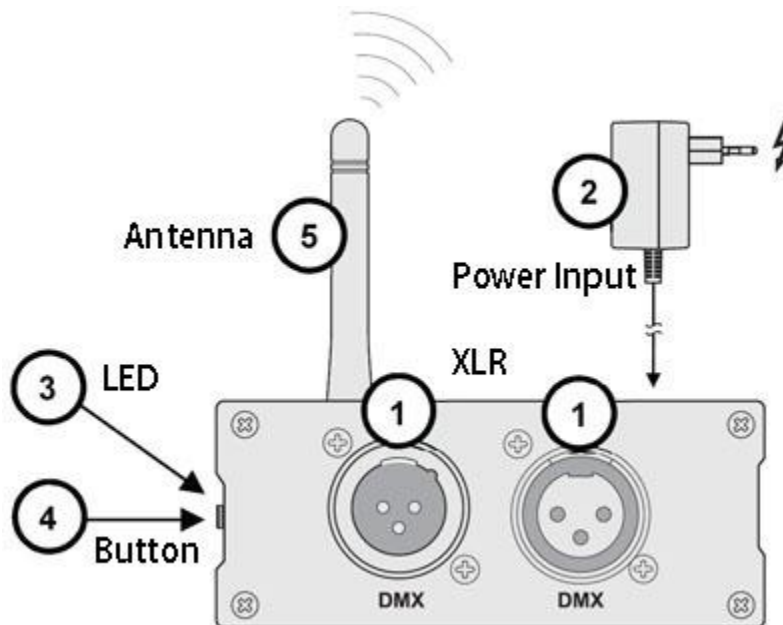
Multiple Communication Protocol, There are no upgrading troubles

WIDMX LC-512G is now compatible with the world's leading wireless communication protocols like the Sweden's protocol or the GZ protocols. There are no upgrading troubles.

Application

- Stage lighting applies to the Grand Variety Show, Gymnasium, Temporary Set-up Stage, TV Station, Centers Conference, Theaters, Opera, Theme Parks, Dance Halls, and Bars, or any lighting equipment with standard DMX512 XLR etc.

Appearance



Description of Status Indicator

1) In the Set-up mode, different colors mean different communication protocols:

- 1. Red ----- WIDMX Protocol
- 2. Green ----- W-DMX Receive Protocol
- 3. Blue ----- W-DMX G3 Transmit Protocol
- 4. Yellow (Optional) ----- Guangzhou(GZ) Protocol
- 5. Purple (Optional) ----- W-DMX G4 Transmit Protocol

2) In the User mode, Description of Status Indicator:

Protocol	Action	Status Description
WIDMX or GZ Protocol	Red, Green, Blue, Yellow, Cyan, Purple (, White)	6 / 7 Different Wireless Groups
	Flashing Red	Transmitting DMX Signal
	Flashing Green	Receiving DMX Signal
W-DMX Receive Protocol	White	Connection is not Established
	Red	Deleting Connection
	Red(Fast-Flash)	Connection is Lost
	Green(Fast-Flash)	Connecting to Transmitter
	Green(Slow-Flash)	Connected, Without DMX Signal
W-DMX Transmit Protocol	Green	Connected, Receiving DMX Signal
	Red	Deleting all Receivers' Connection
	Blue(Fast-Flash)	Connecting with the Receiver(s)
	Blue(Slow-Flash)	No DMX Signal Input
	Blue	Transmitting DMX

Operation Guide

1. Set-up mode:

Press and hold the button before you power up. When you see status indicator turns into the white light, release the button to enter the Set-up mode. In this mode you can select different transmission protocols. Each time you press the button, you would see the status indicator changes in follow order: red, green, blue and yellow. Choose one of the protocols, then press and hold the button (> 1S), when you see the white light, release it to enter the use mode.

2. Use mode:

- 1) Powered up and enter the Use mode;
- 2) If it is in Set-up mode, press and hold the button (> 1S) until you see the white light, then release it to enter the Use mode.

2.1. In WIDMX protocol or GZ protocol, you could select different DMX Group:

- 1) The first time when you press the button, it will not change the color but show you the group that you are in.
- 2) If you press it again it will switch to other group.

2.2. In W-DMX G3 or G4 Transmit protocol:

- 1) By pressing the button, the transmitter can be connected to all powered but not connected receivers within the coverage area;
- 2) Press and hold (> 3S) the transmitter's button until the indicator turns red. The device will delete all the receivers' connection within the coverage range.

2.3. In W-DMX Receive protocol:

Press and hold (> 3S) the receiver's button until the indicator turns white. The device would disconnect with the transmitter.

Specifications

Form Factor

Type: stand-alone installation

Size: 103 x 75 x 35 mm

Weight: 230 g

System Information

CPU: 32-bit ARM Core

Radio Parameters

Range: 600 meters (line-of-sight)

Frequency: 2.402 - 2.480GHz, ISM, 79 channels

Spread Spectrum: FHSS, 1100 hops / sec

Modulation: GFSK

Maximum Transmit Power: 23dBm

Receiver Sensitivity: -94dBm

DMX Signal Interface

3-pin or 5-pin male XLR

3-pin or 5-pin female XLR

Environmental Limits

Operating Temperature: -40 ~ 85 °C

Storage Temperature: -65 ~ 150 °C

Ambient Relative Humidity: 5 to 95% (non-condensing)

Power Requirements

Power Input: DC 5V, $\pm 5\%$

Power Consumption: 350 mA@5V DC max.

Reliability

Automatic Reboot Trigger: Built-in WDT (watchdog timer)

Warranty

Warranty: Five-Year Limited Warranty