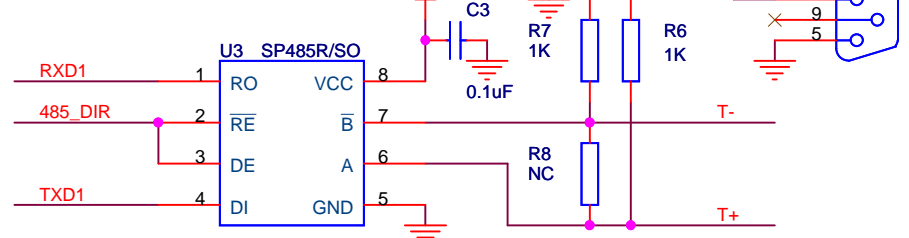
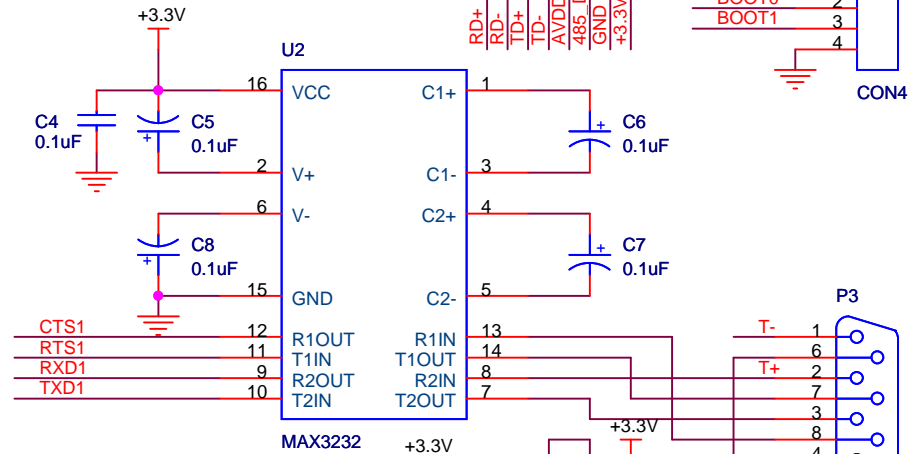
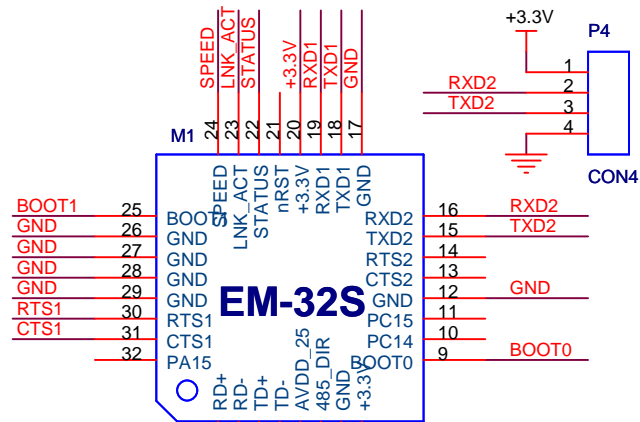
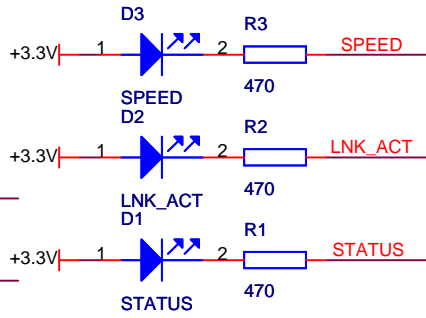
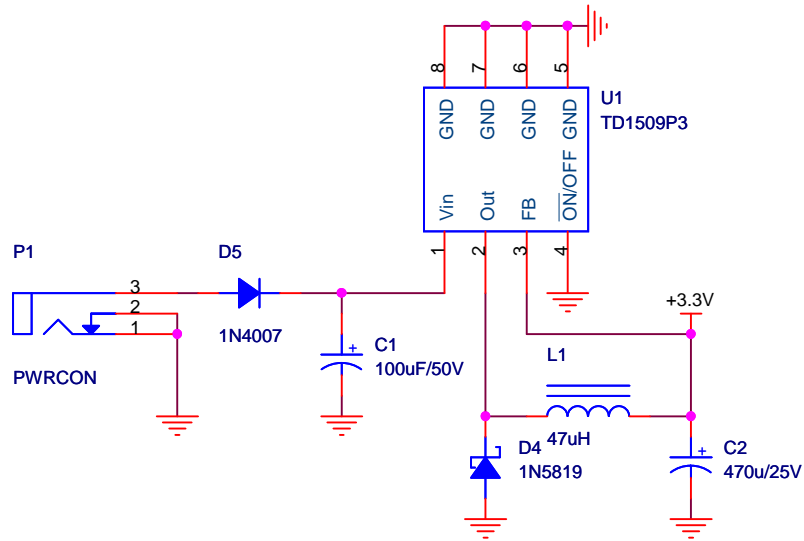


HR911102A

RJ45 ETHERNET CONNECTOR



Title		
EM-32S Evaluation Board		
Size	Document Number	Rev
A	<Doc>	1.0
Date:	Friday, November 25, 2011	Sheet 1 of 1